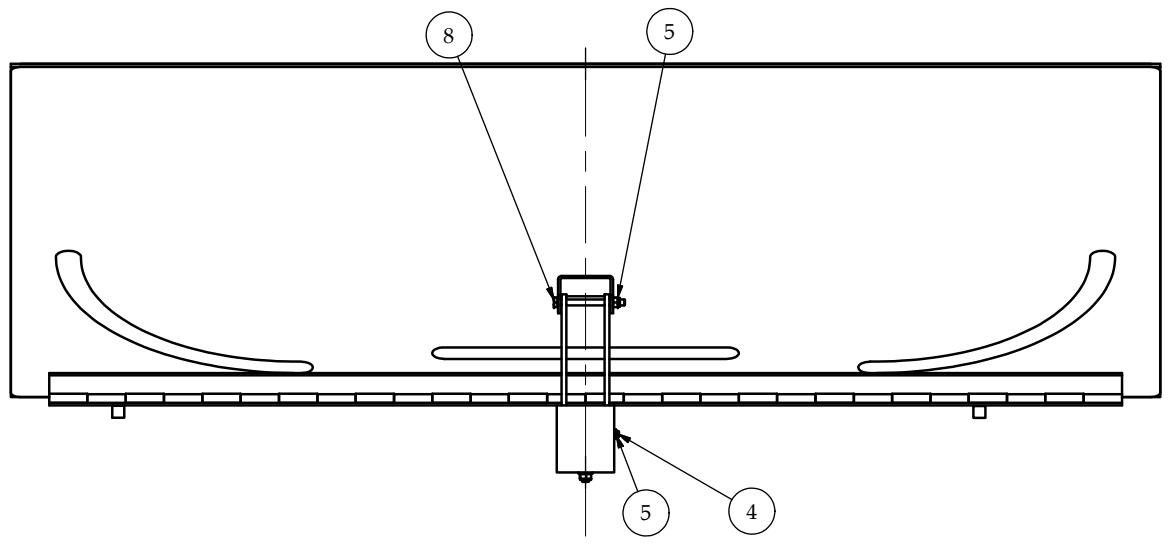
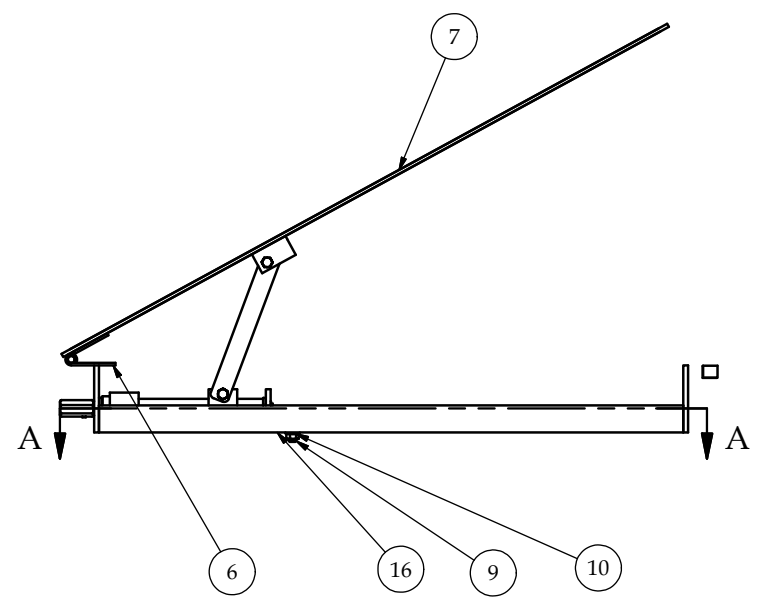


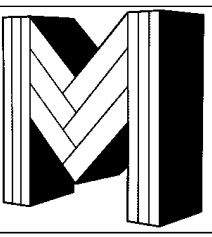
SECTION A-A



****UNLESS OTHERWISE NOTED****
 Fillets $\pm 0.01"$ Angles $\pm 1/2'$ All Angles Are 90°
 $X.X \pm 0.02"$ $X.XX \pm 0.01"$ $X.XXX \pm 0.005"$ Fraction $\pm 1/32'$
 All Burrs And Sharp Edges Removed

Material	Note
----------	------

Revision #	A
Revision Date	
Revised By	

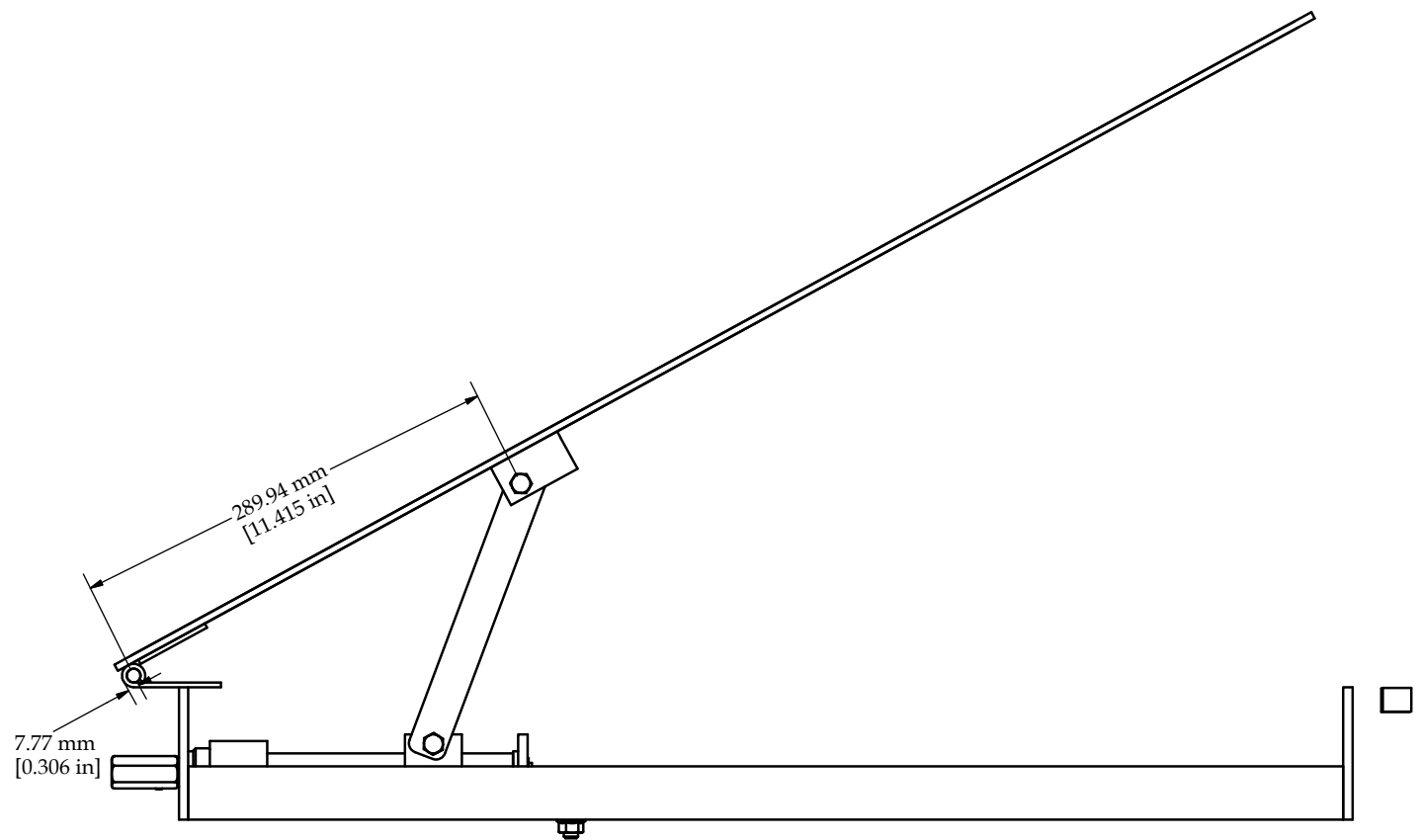


MELNIK
RESOURCES LTD.

P.O. Box 144, 2467 Queen St.
 Mt. Brydges, ON N0L 1W0
 Tel: 519-264-2300 Fax: 519-264-2707
 www.melnik.ca

Title / Part	111-7215-1-1			
Subject / Project	111-7215-1-1			

Designed By	Base Scale	Date	Page	Sheet Size
Sean		6/12/2006	1 of 11	A3



****UNLESS OTHERWISE NOTED****

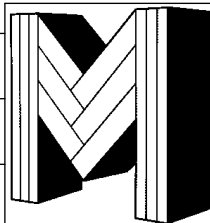
Fillets $\pm 0.01"$ Angles $\pm 1/2'$ All Angles Are 90°
 $X.X \pm 0.02"$ $X.XX \pm 0.01"$ $X.XXX \pm 0.005"$ Fraction $\pm 1/32'$
 All Burrs And Sharp Edges Removed

Revision #

A

Revision Date

Revised By



MELNIK
RESOURCES LTD.

P.O. Box 144, 2467 Queen St.
 Mt. Brydges, ON N0L 1W0
 Tel: 519-264-2300 Fax: 519-264-2707
 www.melnik.ca

Title / Part

111-7215-1-1

Subject / Project

111-7215-1-1

Designed By

Sean

Base Scale

2

Date

6/12/2006

Page

2 of 11

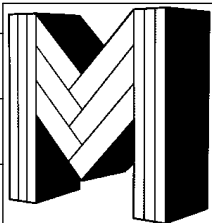
Sheet Size

A3

Parts List			
ITEM	QTY	PART NUMBER	DESCRIPTION
1	1	143-1782-1-1 for 111-7215-1-1	Elevator nut
2	2	119-1091-0-0	Washer, Nylon Shoulder
3	1	131-1860-0-0	Bearing, Thrust, 1.268 OD x .500"ID x .441
4	1	HexCapScrewInch	Hex Cap 5-16x3 UNC
5	2	143-4042-0-0	Nut, 5/16-18, nylon locknut, insert
6	1	170-6368-0-0 for 111-7215-1-1	Hinge, Piano, 5 x 72
7	1	Top for 111-7215-1-1	
8	1	134-4208-0-0	Bolt, 5/16 x 3 1/2
9	1	134-1306-0-0	Bolt, 3/8-16 x 1
10	1	143-1413-0-0	Nut, 3/8, Whiz Lock
11	1	122-1456-0-0	Screw, 5/16 x 1/4
12	1	143-1417-0-0 for 111-7215-1-1	Nut, 3/8 x 1 3/4
15	1	110-6183-0-0	Conduit, PVC, 1 1/4", Ipex Scepter
16	1	113-1596-0-0 A	Channel, 3 x 4.1 # , Length 20' 4.1# per foot
20	1	146-1787-0-0 for 111-7215-1-1	Rod, Threaded Acme 1" diameter
21	1	60x36 TOP with slot	

****UNLESS OTHERWISE NOTED****
 Fillets ± 0.01" Angles ± 1/2' All Angles Are 90'
 X.X ± 0.02" X.XX ± 0.01" X.XXX ± 0.005" Fraction ± 1/32'
 All Burrs And Sharp Edges Removed

Revision #
 Revision Date
 Revised By



MELNIK
RESOURCES LTD.

P.O. Box 144, 2467 Queen St.
 Mt. Brydges, ON N0L 1W0
 Tel: 519-264-2300 Fax: 519-264-2707
 www.melnik.ca

Title / Part				
Subject / Project				
Designed By	Base Scale	Date	Page 3 of 11	Sheet Size A3