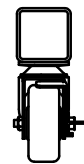
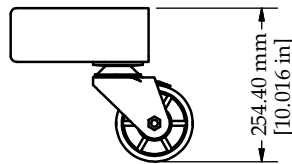
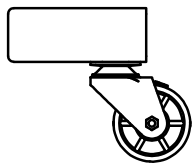
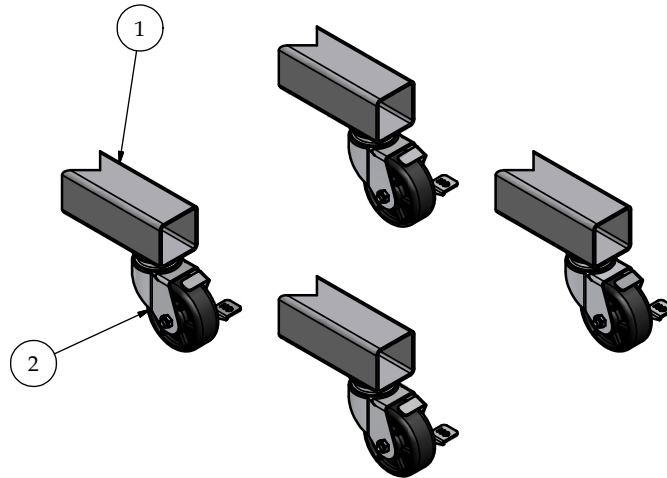


# Assembly Instructions 140-7214-1-1

Parts List			
ITEM	QTY	PART NUMBER	DESCRIPTION
1	4	108-1671-0-0	Tube, 3 1/2 x 3 1/2
2	4	140-7042-0-0	Caster, 5" swivel caster with Top locking brake

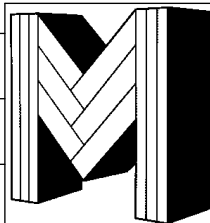


**\*\*UNLESS OTHERWISE NOTED\*\***  
 Fillets ± 0.01" Angles ± 1/2° All Angles Are 90°  
 X.X ± 0.02" X.XX ± 0.01" X.XXX ± 0.005" Fraction ± 1/32"  
 All Burrs And Sharp Edges Removed

Revision #

Revision Date

Revised By



**MELNIK**  
**RESOURCES LTD.**

P.O. Box 144, 2467 Queen St.  
 Mt. Brydges, ON N0L 1W0  
 Tel: 519-264-2300 Fax: 519-264-2707  
 www.melnik.ca

Title / Part  
 140-7214-1-1

Subject / Project

Designed By  
 Sean

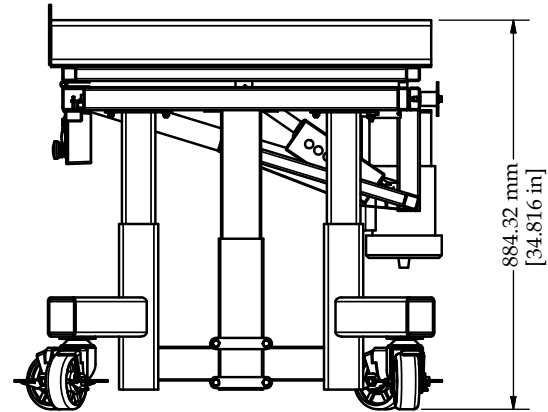
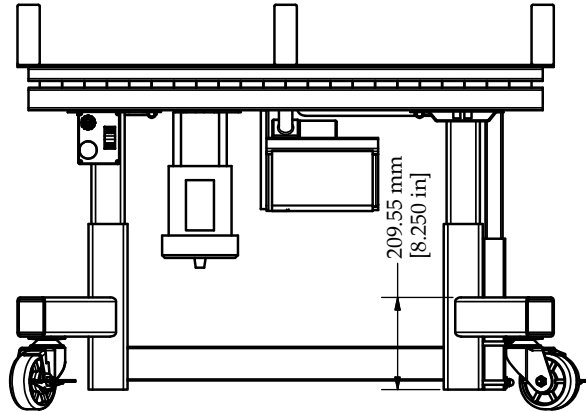
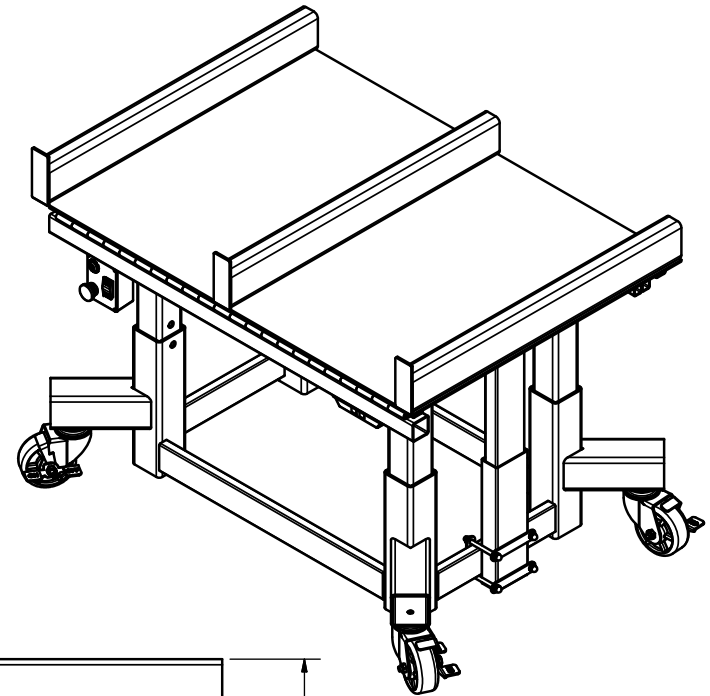
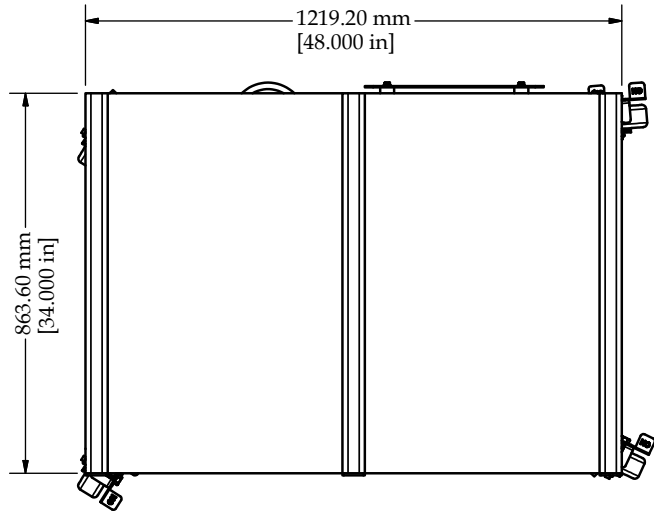
Base Scale

Date  
 10/2/2007

Page  
 1 of 1

Sheet Size  
 A3

# Foot Package ( 140-7214-1-1) on Perfectlynk 2000



**\*\*UNLESS OTHERWISE NOTED\*\***

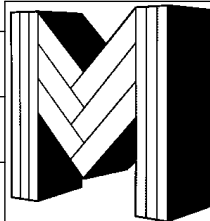
Fillets  $\pm 0.01"$  Angles  $\pm 1/2'$  All Angles Are  $90^\circ$   
 $X.X \pm 0.02"$   $X.XX \pm 0.01"$   $X.XXX \pm 0.005"$  Fraction  $\pm 1/32'$   
 All Burrs And Sharp Edges Removed

Revision #

B

Revision Date  
12/1/2005

Revised By  
C.W.



**MELNIK**  
**RESOURCES LTD.**

P.O. Box 144, 2467 Queen St.  
 Mt. Brydges, ON N0L 1W0  
 Tel: 519-264-2300 Fax: 519-264-2707  
 www.melnik.ca

Title / Part  
154-6899-1-1

Subject / Project

Designed By Chris	Base Scale 7:80	Date 9/28/2005	Page 1 of 4	Sheet Size A3
----------------------	--------------------	-------------------	----------------	------------------