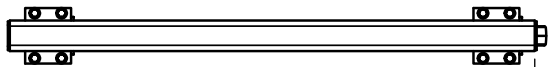
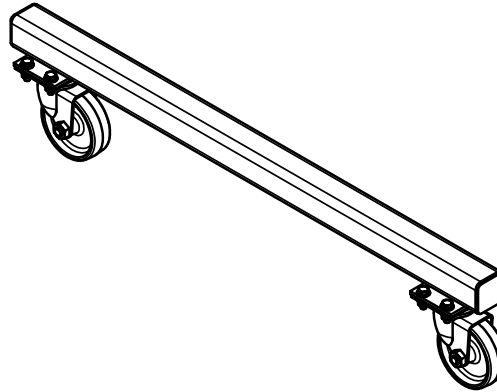
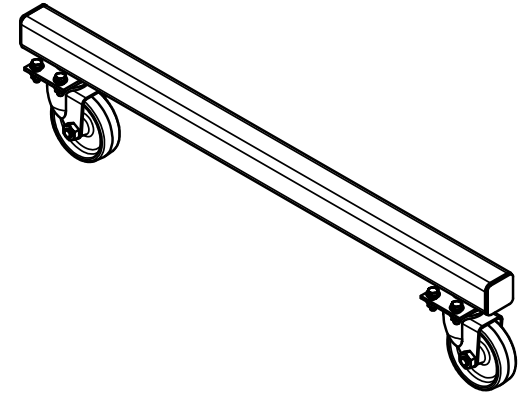
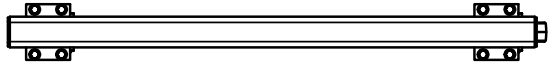
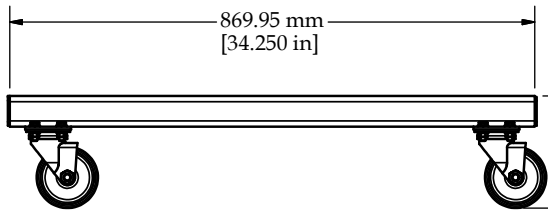


Assembly Instructions (140-7660-1-1)



(25.40 mm)
[1.000 in]



869.95 mm
[34.250 in]

185.74 mm
[7.313 in]



****UNLESS OTHERWISE NOTED****

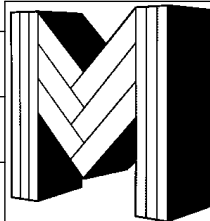
Fillets $\pm 0.01"$ Angles $\pm 1/2'$ All Angles Are 90°
 $X.X \pm 0.02"$ $X.XX \pm 0.01"$ $X.XXX \pm 0.005"$ Fraction $\pm 1/32'$
 All Burrs And Sharp Edges Removed

Revision #

A

Revision Date

Revised By



MELNIK
RESOURCES LTD.

P.O. Box 144, 2467 Queen St.
 Mt. Brydges, ON N0L 1W0
 Tel: 519-264-2300 Fax: 519-264-2707
 www.melnik.ca

Title / Part
 140-7660-1-1

Subject / Project

Designed By
 Sean

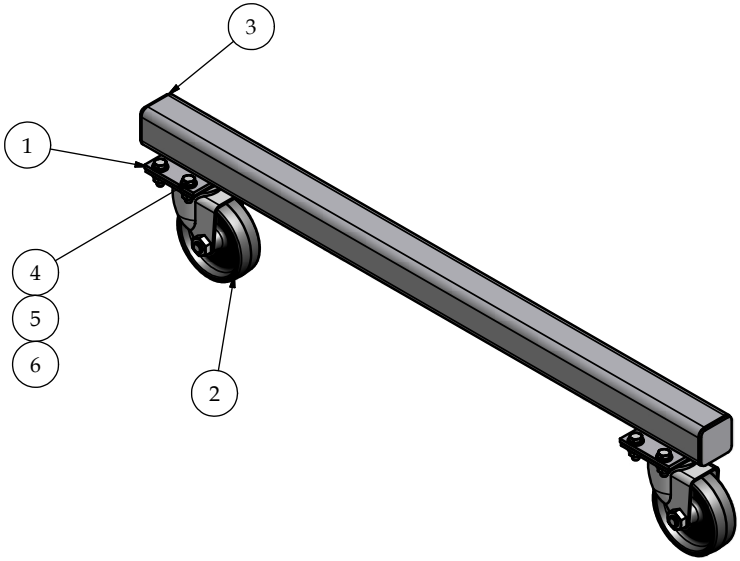
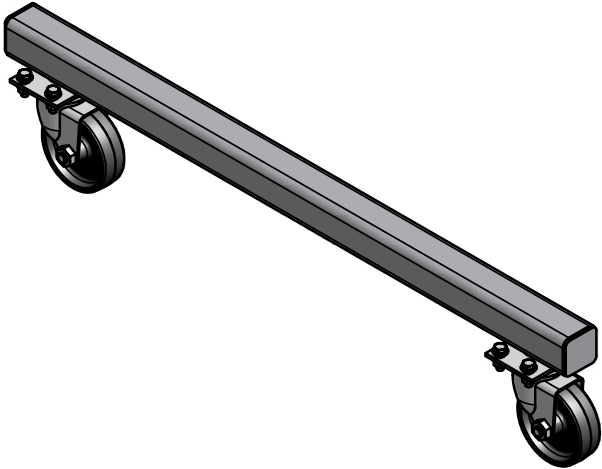
Base Scale

Date
 9/27/2007

Page
 1 of 2

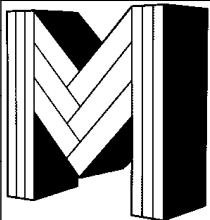
Sheet Size
 A3

Parts List			
ITEM	QTY	PART NUMBER	DESCRIPTION
1	2	140-7696-1-0	Caster Plate 3 5/8 x 3
2	4	140-7684-0-0	Caster, 4"
3	2	108-4356-0-0 A	Tube, HSS, 2 x 2
4	16	134-1289-0-0	Bolt, 5/16 x 1
5	32	119-1503-0-0	Washer, Flat, 5/16
6	16	143-1408-0-0	Nut, 5/16



****UNLESS OTHERWISE NOTED****
 Fillets ± 0.01" Angles ± 1/2° All Angles Are 90°
 X.X ± 0.02" X.XX ± 0.01" X.XXX ± 0.005" Fraction ± 1/32"
 All Burrs And Sharp Edges Removed

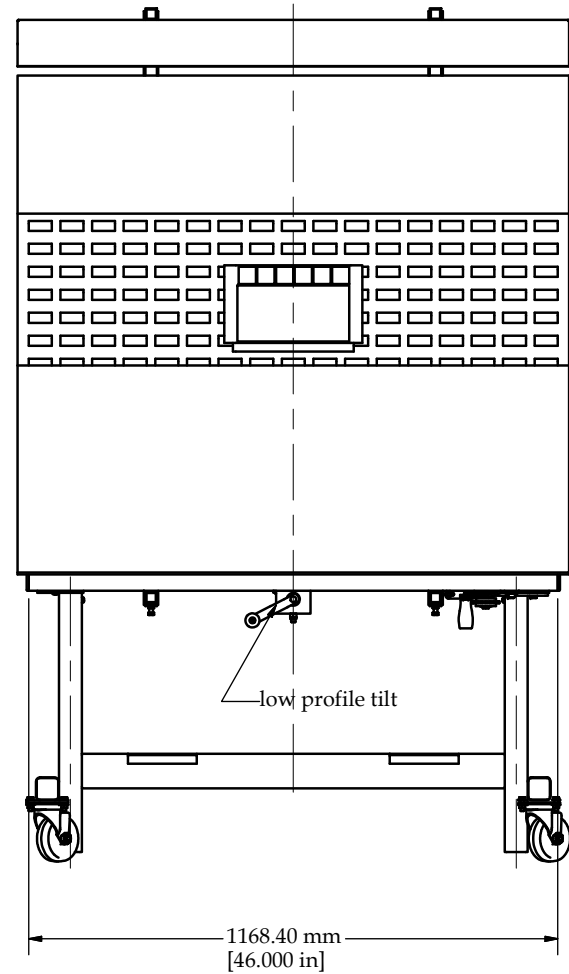
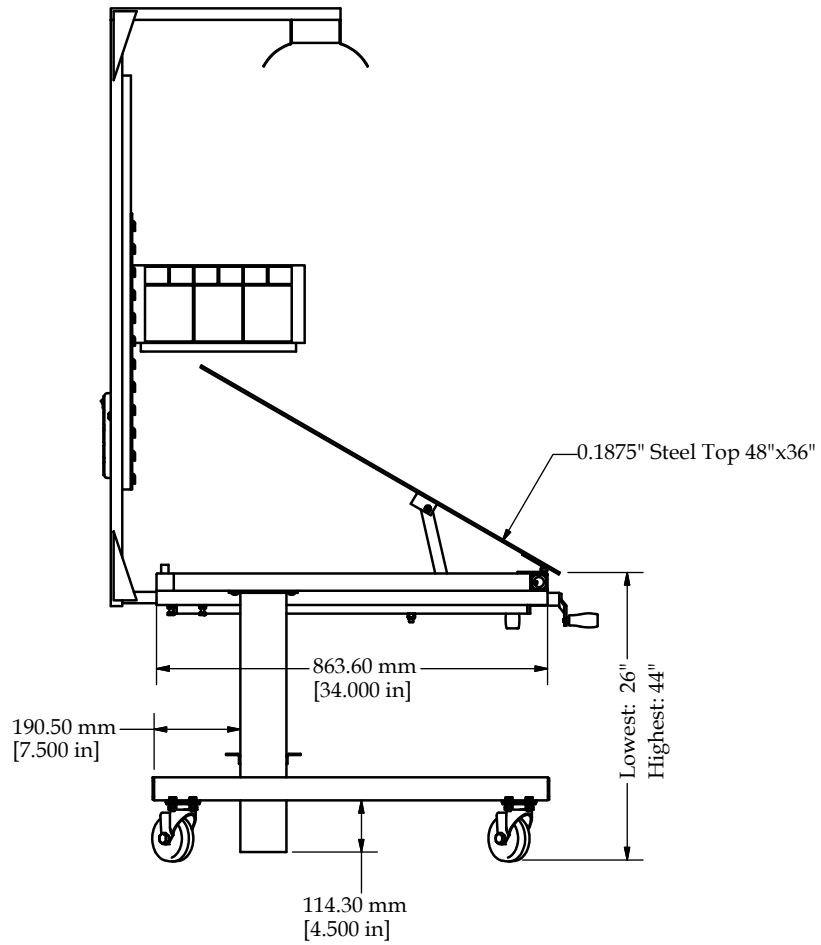
Revision #
A
 Revision Date
 Revised By



MELNIK
RESOURCES LTD.
 P.O. Box 144, 2467 Queen St.
 Mt. Brydges, ON N0L 1W0
 Tel: 519-264-2300 Fax: 519-264-2707
 www.melnik.ca

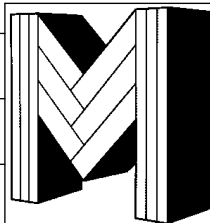
Title / Part 140-7660-1-1				
Subject / Project				
Designed By Sean	Base Scale	Date 9/27/2007	Page 2 of 2	Sheet Size A3

Foot Package on Perfectlynk 500



****UNLESS OTHERWISE NOTED****
 Fillets $\pm 0.01"$ Angles $\pm 1/2'$ All Angles Are 90°
 X.X $\pm 0.02"$ X.XX $\pm 0.01"$ X.XXX $\pm 0.005"$ Fraction $\pm 1/32'$
 All Burrs And Sharp Edges Removed

Revision #
A
 Revision Date
 Revised By



MELNIK
RESOURCES LTD.

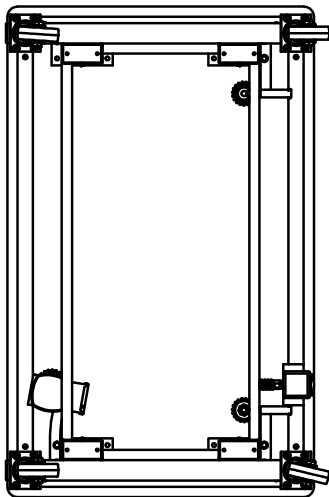
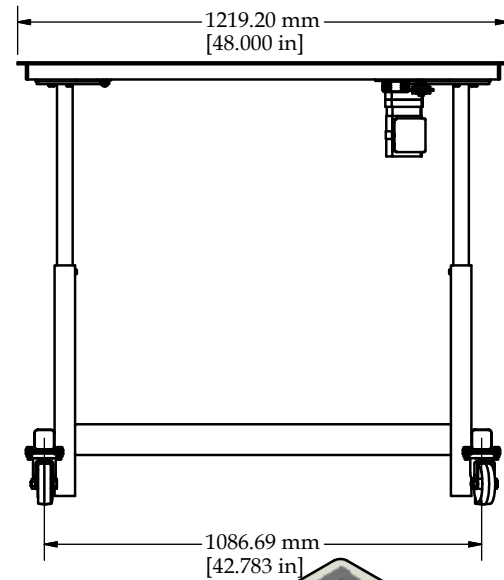
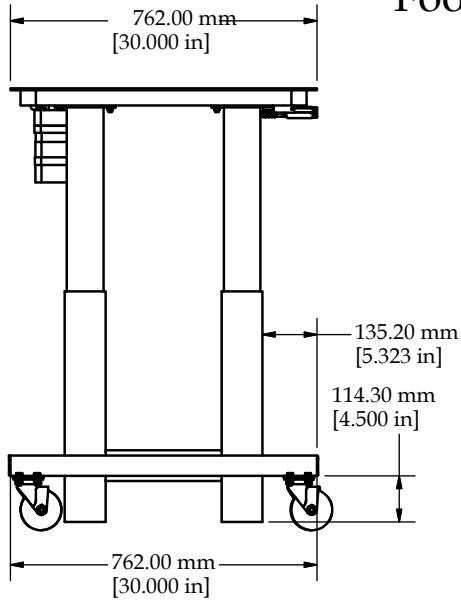
P.O. Box 144, 2467 Queen St.
 Mt. Brydges, ON N0L 1W0
 Tel: 519-264-2300 Fax: 519-264-2707
 www.melnik.ca

Title / Part
 Tilt Table 48x36(low profile tilt)

Subject / Project

Designed By Sean	Base Scale	Date 8/28/2007	Page 1 of 8	Sheet Size A3
---------------------	------------	-------------------	----------------	------------------

Foot Package on Perfectlynk 1000



****UNLESS OTHERWISE NOTED****

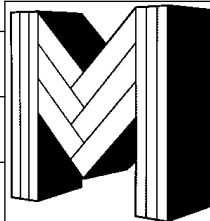
Fillets $\pm 0.01"$ Angles $\pm 1/2'$ All Angles Are 90°
 $X.X \pm 0.02"$ $X.XX \pm 0.01"$ $X.XXX \pm 0.005"$ Fraction $\pm 1/32'$
 All Burrs And Sharp Edges Removed

Revision #

A

Revision Date

Revised By



MELNIK
RESOURCES LTD.

P.O. Box 144, 2467 Queen St.
 Mt. Brydges, ON N0L 1W0
 Tel: 519-264-2300 Fax: 519-264-2707
 www.melnik.ca

Title / Part

154-1850-1-1 with Foot Package

Subject / Project

Designed By
 Sean

Base Scale

Date

10/10/2006

Page

1 of 1

Sheet Size

A3